



UNI-SEMICONDUCTOR CO., LTD

宇力半导体有限公司



## LM339 Data Sheet

V 1.1

版权归宇力半导体有限公司

# LM339

## Quad Differential Comparators

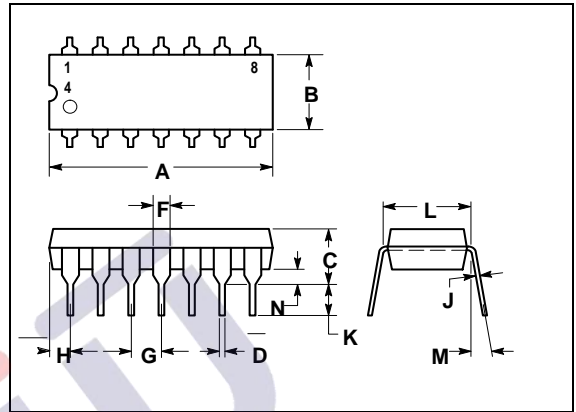
### DESCRIPTION:

The LM339 consists of four independent voltage comparators with an offset voltage specification as low as 2.0mV max. for two comparators which were designed specifically to operation from a single power supply over a wide range of voltages. Operate from split power supplies is also possible, and the low power supply current drain is independent of the magnitude of the power supply voltage. These comparators also have a unique characteristic in that the input common-mode voltage range includes ground, even though operated from a single power supply voltage.

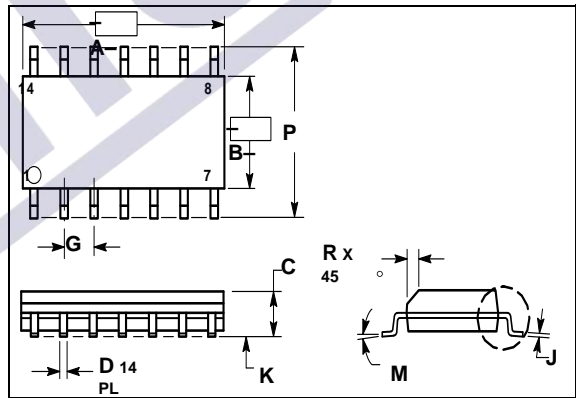
### FEATURE:

- Wide supply voltage range: single supply operation: 2V to 36V dual supply operation:  $\pm 1V$  to  $\pm 18V$
- Very low supply current drain (0.8mA) independent of supply voltage(2.0mW/comparator at 5.0 V<sub>DC</sub>)
- Low input biasing current: 25nA
- Low input offset current: 5.0nA; Low input offset voltage: 5.0mV
- Input common-mode voltage range includes ground
- Differential input voltage range equal to the power supply voltage
- Output voltage compatible with TTL,DTL,ECL,MOS and CMOS logic systems.

### Outline Drawing

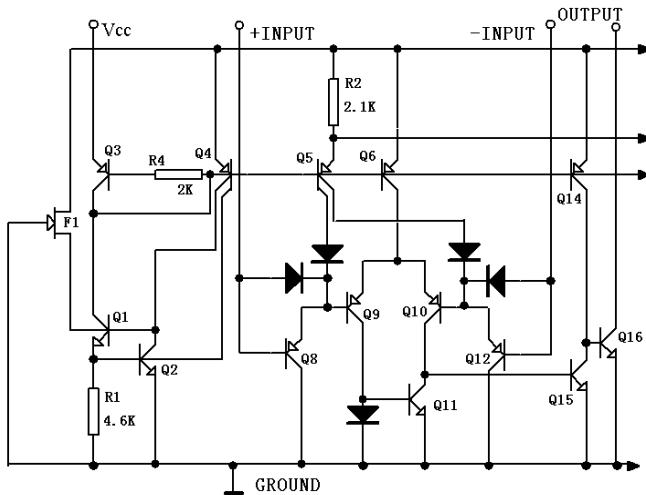


DIP14

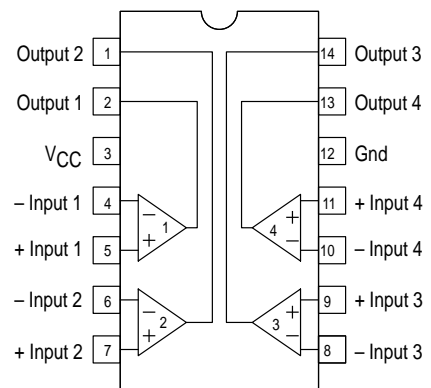


SOP14

### BLOCK DIAGRAM



### PIN CONFIGURATION



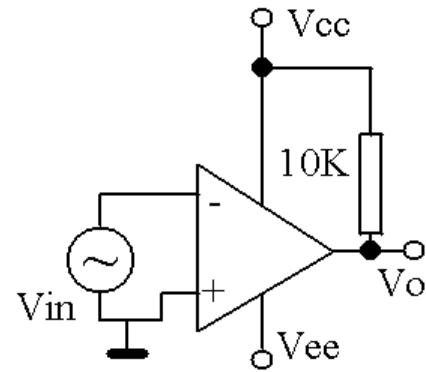
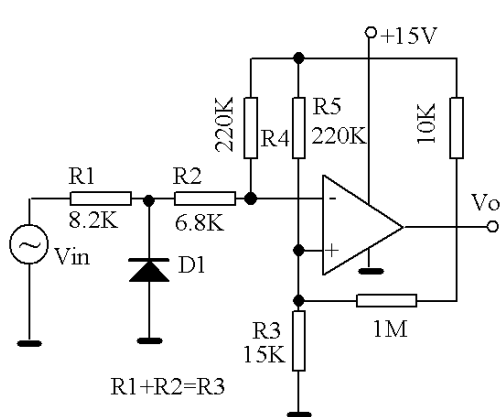
**ABSOLUTE MAXIMUM RATINGS**

Characteristics		Symbol	Value		Unit
			Min	Max	
Supply Voltage	Single supply voltage	V <sub>CC</sub>		±18	V
	Dual supplies voltage			36	
Differential Input Voltage		V <sub>IDR</sub>		36	V
Input common-mode voltage		V <sub>ICR</sub>	-0.3	36	V
Output short-circuit to ground		I <sub>OG</sub>		20	mA
Input Current		I <sub>IN</sub>		50	mA
Maximum junction temperature		T <sub>J</sub>		125	°C
Power Dissipation		P <sub>D</sub>		570	mW
Operating Temperature Range		T <sub>amb</sub>	0	70	°C
Storage Temperature Range		T <sub>stg</sub>	-65	150	°C

**ELECTRICAL CHARACTERISTICS** (Unless otherwise specified :V<sub>CC</sub>=5V, T<sub>amb</sub>=25°C)

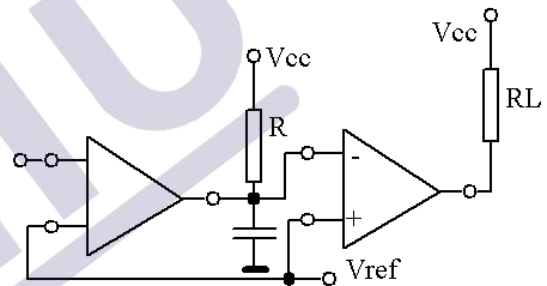
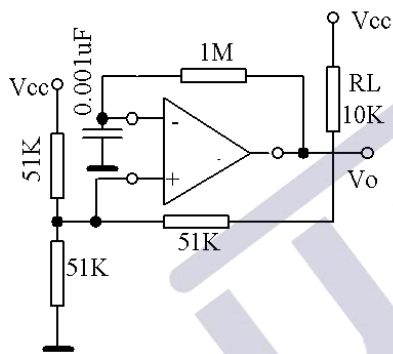
Characteristics	Test conditions	Symbol	Min	Typ.	Max	Unit
Input Offset Voltage		V <sub>IO</sub>		±1.0	±5.0	mV
	0°C ≤ T <sub>a</sub> ≤ 70°C				±9.0	
Input Offset Current		I <sub>IO</sub>		±5.0	±50	nA
	0°C ≤ T <sub>a</sub> ≤ 70°C				±150	
Input Bias Current		I <sub>IB</sub>		25	250	nA
	0°C ≤ T <sub>a</sub> ≤ 70°C				400	
Input Common-mode Voltage Range		V <sub>ICR</sub>	0		V <sub>CC</sub> -1.5	V
	0°C ≤ T <sub>a</sub> ≤ 70°C		0		V <sub>CC</sub> -2.0	
Supply Current	R <sub>L</sub> =∞ dual comparator	I <sub>CC</sub>		0.4	1.0	mA
	R <sub>L</sub> =∞, dual comparator V <sub>CC</sub> =30V				2.5	
Voltage Gain	R <sub>L</sub> ≥ 15KΩ, V <sub>CC</sub> =15V	G <sub>V</sub>	50	200		V/mV
Large Signal Response Time	V <sub>IN</sub> =TTL Logic Swing, V <sub>REF</sub> =1.4V, V <sub>RL</sub> =5.0V, R <sub>L</sub> =5.1KΩ	t <sub>RES</sub>		300		ns
Response Time	V <sub>RL</sub> =5.0V, R <sub>L</sub> =5.1KΩ	t <sub>RES</sub>		1.3		μs
Input Differential Voltage		V <sub>ID</sub>			V <sub>CC</sub>	V
Output Sink Current	V <sub>IN(-)</sub> ≥ 1.0V, V <sub>IN(+)</sub> =0V, V <sub>O</sub> ≤ 1.5V	I <sub>SINK</sub>	6.0	16		mA
output saturation voltage	V <sub>IN(-)</sub> ≥ 1.0V, V <sub>IN(+)</sub> =0V, I <sub>SINK</sub> ≤ 4.0mA	V <sub>SAT</sub>		150	400	mV
	V <sub>IN(-)</sub> ≥ 1.0V, V <sub>IN(+)</sub> =0V, I <sub>SINK</sub> ≤ 4.0mA 0°C ≤ T <sub>a</sub> ≤ 70°C				700	
Output Leakage Current	V <sub>IN(+)</sub> ≥ 1.0V, V <sub>IN(-)</sub> =0V, V <sub>O</sub> =5.0V	I <sub>OL</sub>		0.1		nA
	V <sub>IN(+)</sub> ≥ 1.0V, V <sub>IN(-)</sub> =0V, V <sub>O</sub> =30V 0°C ≤ T <sub>a</sub> ≤ 70°C				1000	

**APPLICATION CIRCUIT**



**Applied single power Supply**

**Applied split power supplies**



TYPICAL CHARACTERISTICS CURVES:

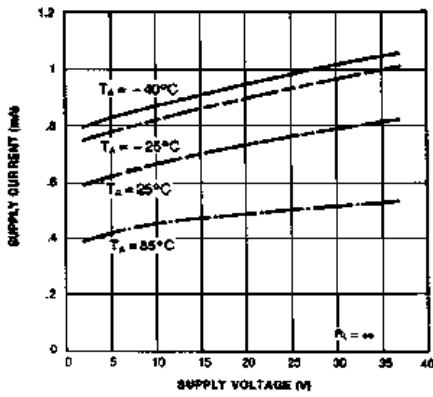


Figure 1. Supply Current vs Supply Voltage

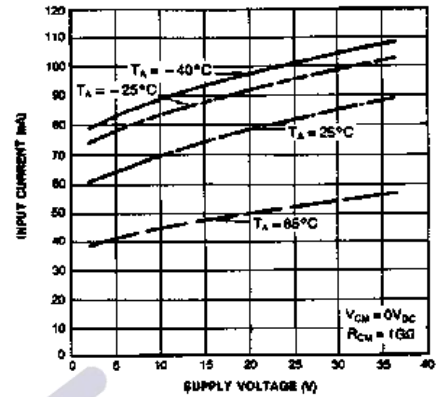


Figure 2. Input Current vs Supply Voltage

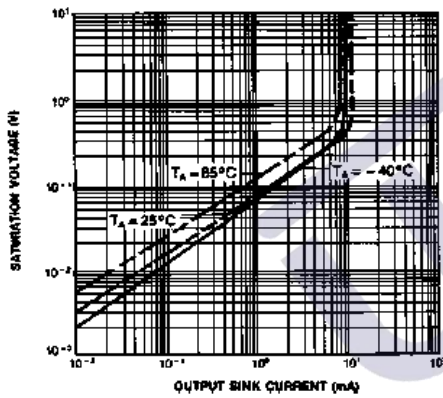


Figure 3. Output Saturation Voltage vs Sink Current

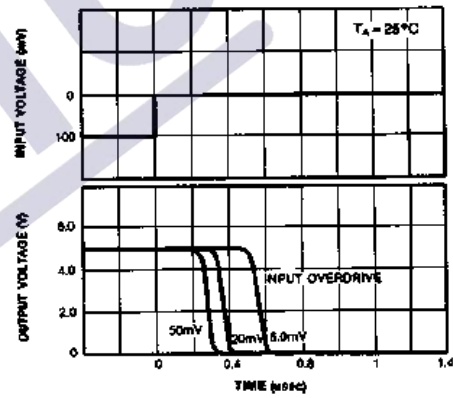


Figure 4. Response Time for Various Input Overdrive-Negative Transition

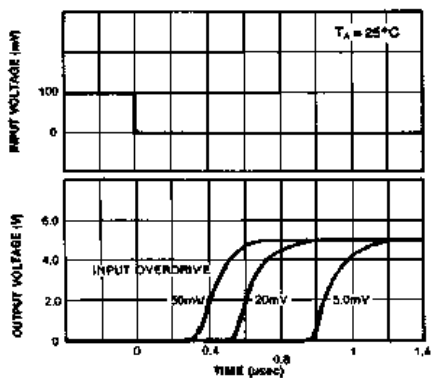


Figure 5. Response Time for Various Input Overdrive-Positive Transition

## 1.版本记录

DATE	REV.	DESCRIPTION
2018/04/19	1.0	First Release
2021/06/12	1.1	Layout adjustment

## 2.免责声明

浙江宇力微新能源科技有限公司保留对本文档的更改和解释权力，不另行通知！产品不断提升，以追求高品质、稳定性强、可靠性高、环保、节能、高效为目标，我司将竭诚为客户提供性价比高的系统开发方案、技术支持等更优秀的服务。量产方案需使用方自行验证并自担所有批量风险责任。未经我司授权，该文件不得私自复制和修改。

版权所有 浙江宇力微新能源科技有限公司/绍兴宇力半导体有限公司

## 3.联系我们

浙江宇力微新能源科技有限公司

总部地址：绍兴市越城区斗门街道袍渎路25号中节能科创园45幢4/5楼 电话：

0575-85087896（研发部）

传真：0575-88125157

E-mail: htw@uni-semic.com

无锡地址：无锡市锡山区先锋中路6号中国电子（无锡）数字芯城1#综合楼503室

电话：0510-85297939

E-mail: zh@uni-semic.com

深圳地址：深圳市宝安区西乡街道南昌社区宝源路泳辉国际商务大厦410

电话：0755-84510976

E-mail: htw@uni-semic.com